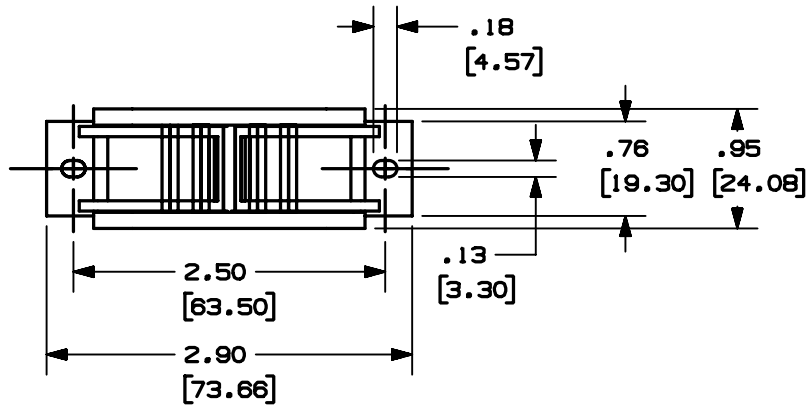
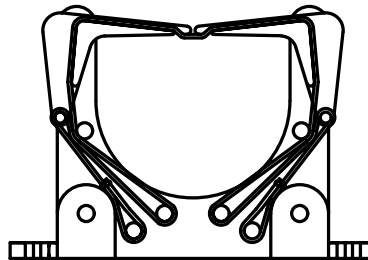
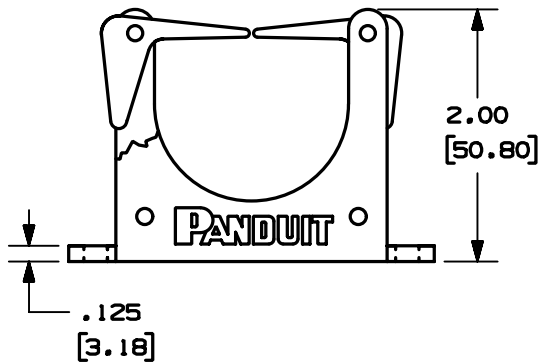


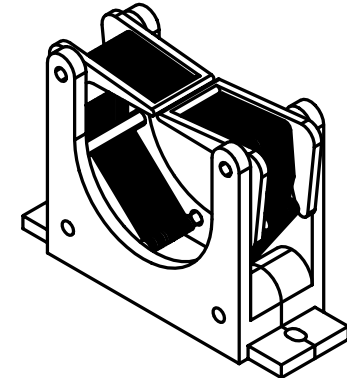
THIS COPY IS PROVIDED ON A RESTRICTED BASIS AND IS NOT TO BE USED IN ANY WAY DETRIMENTAL TO THE INTERESTS OF PANDUIT CORP.



PANDUIT * PART NO.	RECOMMENDED FASTENER	WEIGHT lbs / 100 (g) / pcs
ER1.25-E4-__	#4 SCREW	5.3 (2404)



CUTAWAY FRONT VIEW  
SHOWING ELASTIC BAND



NOTES:

- SEE CURRENT PRICE SHEET FOR PART NUMBER SUFFIX DESIGNATION FOR PACKAGE SIZE.
- ELASTIC RETAINER AUTOMATICALLY FORMS AROUND BUNDLES OF WIRE AS THEY ARE INSERTED.
- CAPACITY: THIS BUNDLE RETAINER WILL ACCEPT:  
(A) A 1.25" DIAMETER OF INDIVIDUALLY PLACED WIRES  
-or-  
(B) AN APPROXIMATE 0.75" DIAMETER HARNESSSED BUNDLE OR OTHER SOLID OBJECTS.

DIMENSIONS IN BRACKETS ARE METRIC [ mm ]

CAD FILENAME/LAYER: G00239JU\_PB\_ER125E4\_00

**PANDUIT**

CORP. TINLEY PARK, ILLINOIS

ELASTIC RETAINER  
(ER1.25-E4-\_\_)

UNLESS OTHERWISE SPECIFIED,  
DIMENSIONAL TOLERANCES ARE:  
(.X) ±0.05 (1.3) (.XXX) ±0.010 (0.25)  
(.XX) ±0.02 (0.5) ANGLES ± 5°

UNLESS OTHERWISE SPECIFIED,  
ALL DIMENSIONS ARE GIVEN  
IN INCHES, THIRD ANGLE PROJECTION.

REV	DATE	BY	CHK	DESCRIPTION	ECN	R	CUST	SUP
R	11/4/02	JAD		INITIAL RELEASE	G00239JU	R		

DRWN BY	JAD	MAT'L:	PLASTIC FRAME, ELASTIC FABRIC BAND	SCALE	3/4
DATE	11/4/02			DWG NO.	G00239JU
DR'D				SIZE	A